

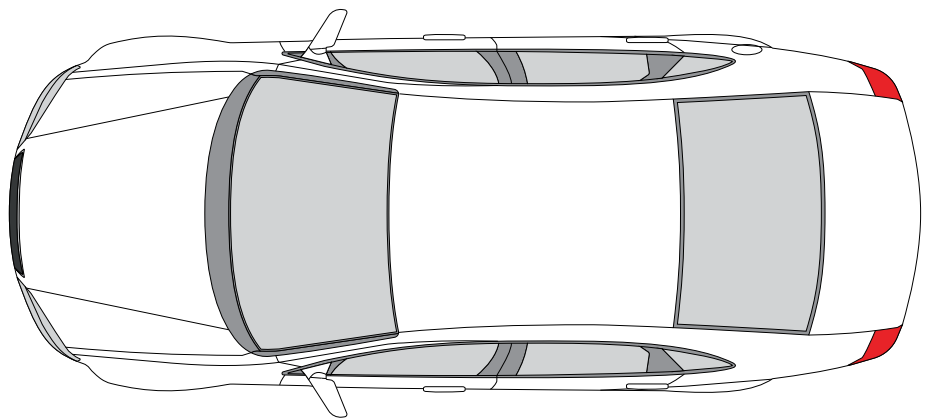
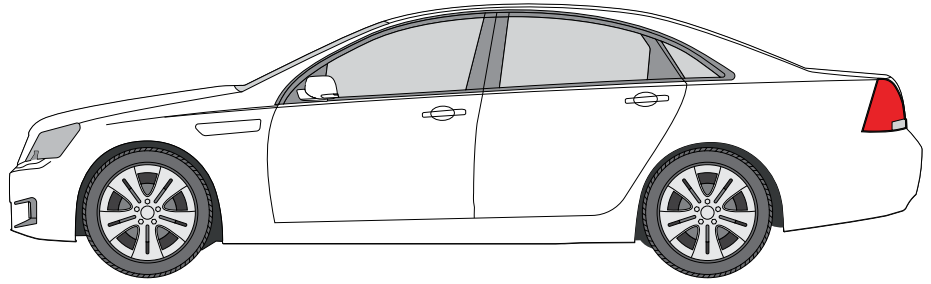
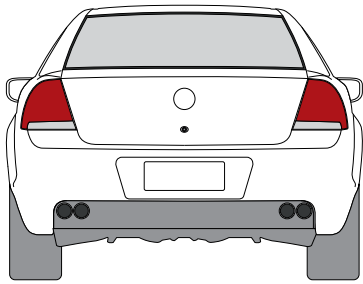
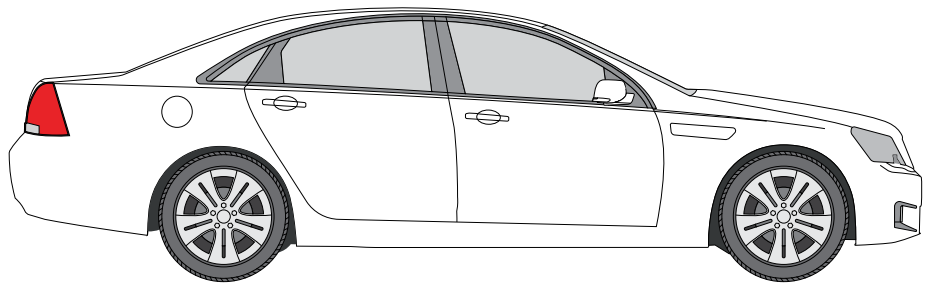
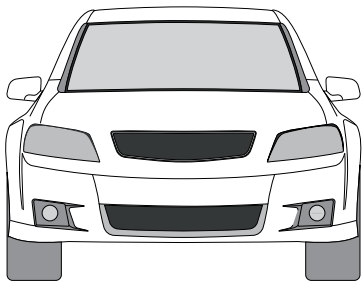
Asia Pacific

Vehicle Installation Pre-inspection

Date: Client Name:

Year: Make: Model:

Registration: Product Code: Lot No:



Damage Legend:

- B - Broken
- C - ClearCoat
- D - Dent
- L - Loose
- P - Paint
- R - Rust
- S - Scratch

Comments:

Client Signature:

Installer Signature: Date:

