

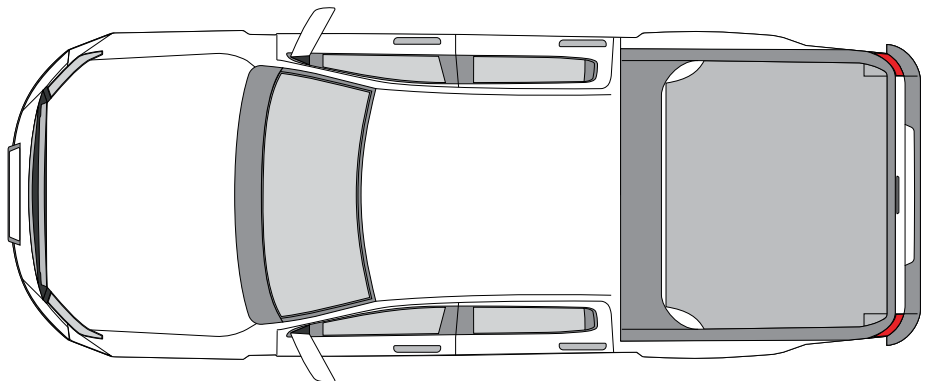
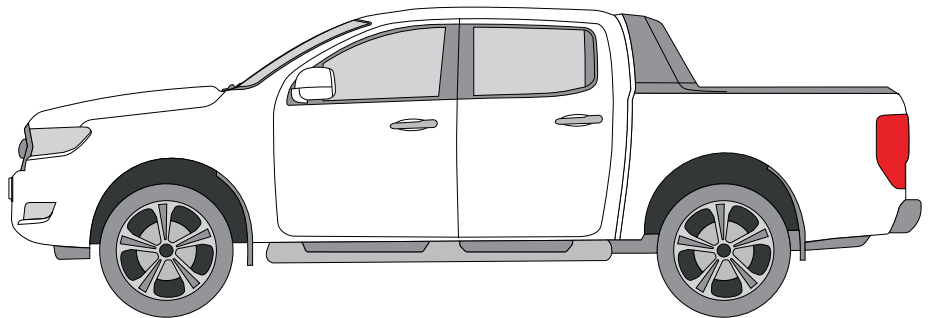
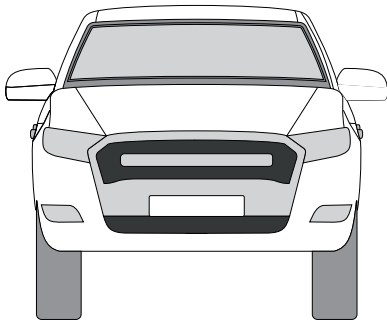
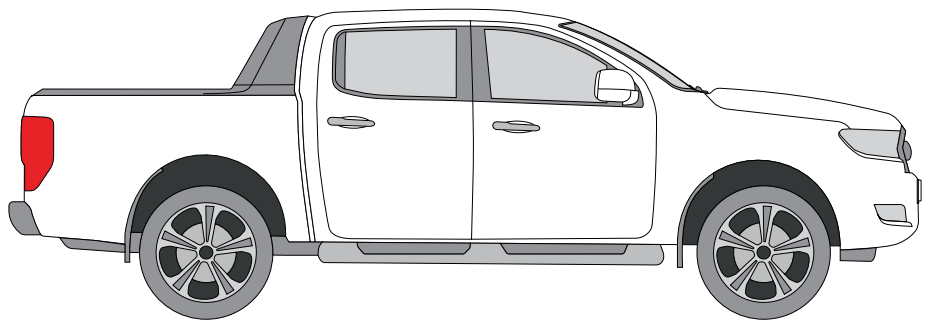
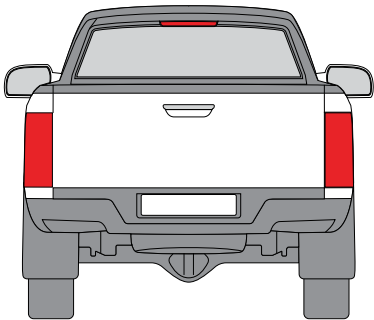
Asia Pacific

# Vehicle Installation Pre-inspection

Date:  Client Name:

Year:  Make:  Model:

Registration:  Product Code:  Lot No:



**Damage Legend:**

- B - Broken
- C - ClearCoat
- D - Dent
- L - Loose
- P - Paint
- R - Rust
- S - Scratch

Comments:

Client Signature:

Installer Signature:

Date:

